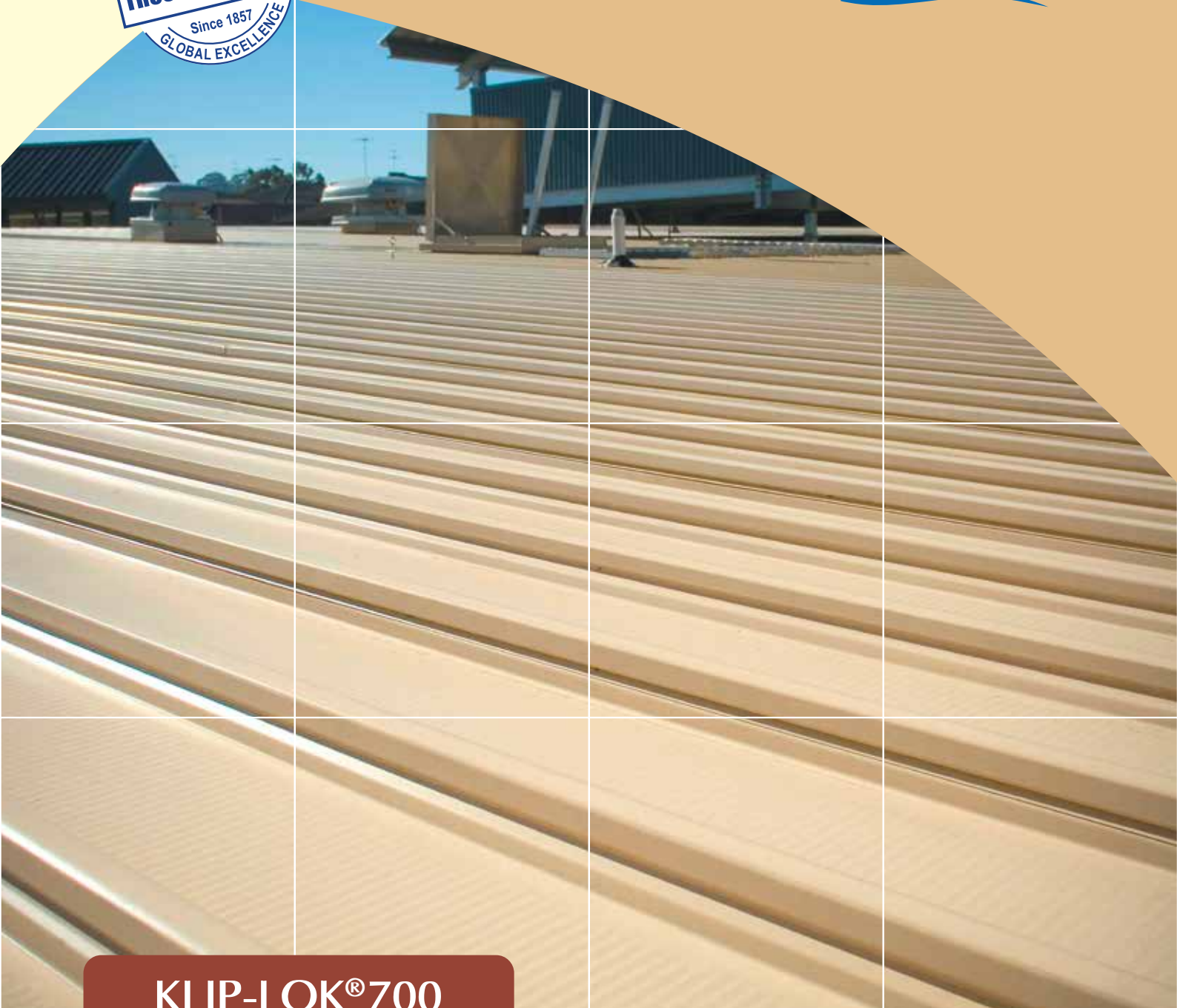




**LYSAGHT®**



## KLIP-LOK® 700

Weather Tight Performance | Strong Visual Appeal | On-site Roll Forming | Better Uplift Performance  
Better Spanning Capability | Economical and Fast to Install

**TATA BLUESCOPE  
STEEL**



LYSAGHT KLIP-LOK® 700 is a new generation, wide-cover, concealed fixed cladding. Made of high tensile steel of 550 MPa yield strength, it has a wider span, with better uplift performance than all available comparable profiles.

Visually, you get a bold rib that makes a strong statement rising from the flat pans that are cross micro fluted.

Our extensive research shows that thermal expansion and contraction can be controlled better using a concealed fixed system. Since the effect is on the longitudinal direction, wider coverage of LYSAGHT KLIP-LOK® 700 provides the best alternative. It is well suited to both general environment and coastal environment.

LYSAGHT KLIP-LOK® 700 is truly a superior product developed by BlueScope Steel's Research and Development centre at Sydney, Australia after extensive research for a number of years.

The profile is fixed on a specially designed clip known as KL-70, manufactured from high tensile steel base and designed to withstand high wind pressure. This provides accuracy, economy and ease during the installation and makes it a superior product designed to last long.

### Concealed-Fixing

The fixing clips are first secured to steel or timber supports, then LYSAGHT KLIP-LOK® 700 is laid directly onto the clips. With no exposed fasteners, the straight lines of your roof remain clean and smooth.

### On-Site Roll-Forming

LYSAGHT KLIP-LOK® 700 can be manufactured on site using world-class mobile roll-forming technology, which not only gives single length from the ridge of the

roof to the eave, but also helps to make it a leak-proof structure with better control over quality installation.

### Simple, Low Cost Fixing

Long, straight lengths of LYSAGHT KLIP-LOK® 700 can be laid in place and easily aligned. Fixing with our new clips is simpler and faster than ever before. The smaller number of clips for a given area provides extra economy.

### Transverse Fluting

Our patented transverse fluting significantly adds to the performance of this revolutionary product making it superior to any other concealed-fixed cladding.

### Profile

LYSAGHT KLIP-LOK® 700 is 700 mm wide covering profile with nominal 43 mm deep ribs and pitch of 233 mm. The specially designed shape of the profile combined with the high tensile property of base steel help in better interlocking of the panels on lateral ends. The profile is fixed on a specially designed clip (KL-70) to the base purlin, avoiding any external screw on the roof and making it watertight and leak proof in comparison to any conventional screw down profile (Refer figure 1).

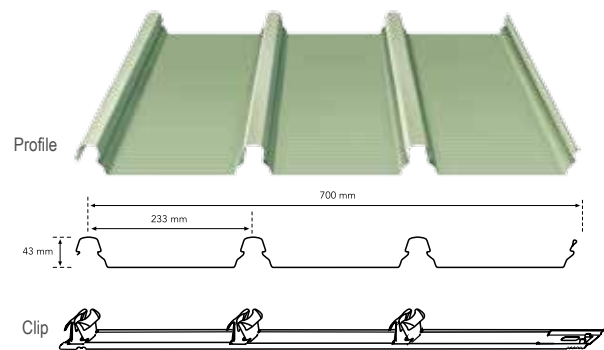


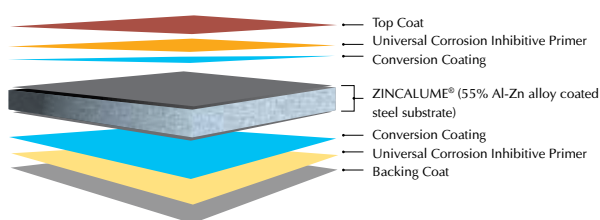
Figure 1



## Material Specification

LYSAGHT KLIP-LOK® 700 profile is manufactured out of high strength steel. The coated steel is ZINCALUME® steel, which is a zinc-aluminium alloy coated steel complying with AS 1397, G550, AZ150 (550 MPa minimum yield stress, 150 g/m<sup>2</sup> minimum coating mass) or COLORBOND® steel, a pre-painted steel conforming to AS/NZS 2728 Type 3-4.

\*Standard offerings includes COLORBOND® XRW steel but other options like COLORBOND® Ultra steel, COLORBOND® XPD steel and COLORBOND® Metallic steel can also be used after consultation from Tata BlueScope Steel authorities.



Cross Sectional View of COLORBOND® steel

## Lengths

On site roll-forming from ridge to eave, i.e. single jointless sheet or custom cut.

## Tolerances

Length: 0 mm, - 15 mm

Width: + 4 mm, - 4 mm

## Masses

KLIP-LOK® 700				
BMT*	TCT*	Product	kg/m	kg/m <sup>2</sup>
0.40	0.45	ZINCALUME® steel	3.11	4.44
0.40	0.45	COLORBOND® steel	3.17	4.53
0.45	0.50	ZINCALUME® steel	3.48	4.97
0.45	0.50	COLORBOND® steel	3.54	5.05
0.60	0.65	ZINCALUME® steel	4.59	6.55
0.60	0.65	COLORBOND® steel	4.64	6.63

\* Dimensions are in mm

## Maximum Support Spacing (in millimetres)

The maximum recommended support spacings are based on tests conducted in accordance with AS1562.1-1992, AS4040.1-1992 and AS4040.2-1992.

Roof spans consider both resistance to wind pressure and light roof traffic (traffic arising from incidental maintenance). Wall spans consider resistance to wind pressure only.

The pressure considered (in accordance with IS 875.3) is based on buildings up to 10m high, Zone 3 (Basic

wind speed  $V_b=47\text{m/s}$ ), Class A, Terrain category 3,  $K_1 = 1.0$ ,  $K_2 = 0.91$ ,  $K_3 = 1.0$ , with the following assumptions made;

## Roofs:

Maximum Support Spacings (mm)		
Type of span	Total Coated Thickness (mm)	
	0.45	0.50
<b>Roofs</b>		
Single Span	1300	1600
End Span	1350	1700
Internal Span	2200	2400
Unstiffened eaves overhang	150	200
Stiffened eaves overhang	450	500

- Tables are based on supports of 1 mm BMT
- Please contact Tata BlueScope Steel office before adopting for design
- For wall cladding, please contact Tata BlueScope Steel Technical team

$C_{pe} = - 1.20$  (internal cladding spans)

$C_{pe} = - 2.0$  (single and end cladding spans)

$C_{pi} = + 0.2$

## Maximum roof lengths for drainage measured from ridge to gutter (in metres)

Penetrations will alter the flow of water on a roof. For assistance in design of roofs with penetrations, please seek advice from your nearest Tata BlueScope Steel office.

Maximum Roof Run (m) as based on CSIRO* Formula							
	Rainfall Intensity mm/hr	Roof Slope					
		1°	2°	3°	5°	7.5°	10°
KLIP-LOK® 700 Flow Area	100	344	428	502	624	745	856
	150	229	285	334	416	496	571
	200	172	214	251	312	372	428
	250	137	171	201	250	298	342
	300	115	143	167	208	248	285
	400	86	107	125	156	186	214
	500	69	86	100	125	149	171

\*Commonwealth Scientific & Industrial Research Organisation



KLIP-LOK® 700: Limit state wind pressure capacities (KPa)											
Span Type	Limit State	Span (mm)									
		900	1200	1500	1800	2100	2400	2700	3000	3300	3600
KLIP-LOK® 700 - 0.40 mm Base Metal Thickness (0.45 mm Total Coated Thickness)											
SINGLE END INTERNAL	Serviceability	2.57	2.14	1.73	1.36	1.05	0.80	0.60	0.44	0.31	-
	Strength*	4.28	3.61	3.09	2.55	2.06	1.66	1.39	1.14	0.87	-
	Serviceability	2.66	2.40	2.13	1.79	1.44	1.14	0.92	0.79	0.69	0.63
	Strength*	5.04	3.83	2.93	2.36	2.23	2.14	2.00	1.65	1.33	1.01
	Serviceability	2.48	2.29	2.11	1.93	1.75	1.57	1.38	1.22	1.05	0.90
	Strength*	4.83	4.07	3.42	2.82	2.34	2.03	1.88	1.71	1.50	1.31
KLIP-LOK® 700 - 0.45 mm Base Metal Thickness (0.50 mm Total Coated Thickness)											
SINGLE END INTERNAL	Serviceability	3.65	2.94	2.27	1.68	1.22	0.88	0.67	0.53	0.44	-
	Strength*	5.60	4.65	3.85	3.10	2.50	2.00	1.65	1.45	1.25	-
	Serviceability	3.43	3.04	2.64	2.23	1.83	1.50	1.23	1.03	0.88	0.75
	Strength*	5.90	4.70	3.75	3.15	2.85	2.60	2.35	2.00	1.65	1.25
	Serviceability	3.33	2.98	2.65	2.35	2.09	1.88	1.70	1.53	1.34	1.15
	Strength*	5.85	5.05	4.35	3.65	3.15	2.80	2.50	2.30	2.00	1.65
KLIP-LOK® 700 - 0.60 mm Base Metal Thickness (0.65 mm Total Coated Thickness)											
SINGLE END INTERNAL	Serviceability	6.65	5.41	4.23	3.18	2.33	1.70	1.27	0.97	0.74	-
	Strength*	8.30	7.10	5.95	4.95	4.05	3.35	2.85	2.40	2.05	-
	Serviceability	6.38	5.33	4.36	3.51	2.82	2.28	1.88	1.59	1.38	1.21
	Strength*	8.20	6.70	5.45	4.60	4.00	3.60	3.20	2.75	2.35	1.90
	Serviceability	5.65	5.17	4.70	4.24	3.78	3.32	2.88	2.44	-	-
	Strength*	7.25	6.45	5.75	5.10	4.55	4.10	3.75	3.45	-	-

\*A capacity reduction factor of  $\phi = 0.9$  has been applied to strength capacities. Supports must be not less than 1 mm BMT.

Please contact Tata BlueScope Steel office before adopting for design.

Non-standard thickness, sizes & colours are also available on special request.

The above data has been derived from the tests conducted at our research centre and reproduction of the same in any form is strictly prohibited

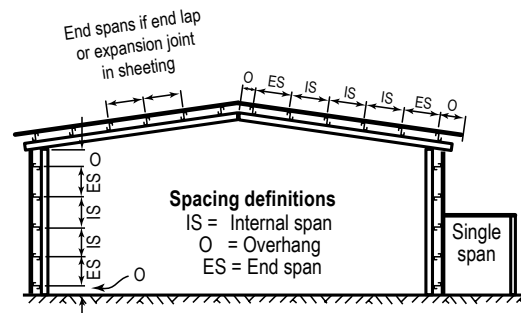
## Limit States Wind Pressures

LYSAGHT KLIP-LOK® 700 offers the full benefits of the latest methods for modelling wind pressures.

The wind pressure capacity table is determined by full scale tests conducted at BlueScope Steel's NATA- registered testing laboratory, using the direct pressure-testing rig. Testing was conducted in accordance with AS 1562.1-1992 Design and Installation of Sheet Roof and Wall Cladding-Metal and AS 4040.2-1992 Resistance to Wind Pressure for Non-cyclonic Regions. The pressure capacities for serviceability are based on a deflection limit of  $(\text{span}/120) + (\text{maximum fastener pitch}/30)$ . The pressure capacities for strength have been determined by testing the cladding to failure (ultimate capacity). These pressures are applicable when the cladding is fixed to a minimum of 1.0 mm, G550 steel purlin. For material less than 1.0 mm thickness, seek advice from your nearest Tata BlueScope Steel office.

## Adverse Conditions

If this product is to be used in marine, severe industrial, or unusually corrosive environments, ask for advice from your nearest Tata BlueScope Steel office.



## Metal and Timber Compatibility

Lead, copper, free carbon, stainless steel and green or some chemically-treated timber are not compatible with this product. Do not allow any contact of the product with these materials, nor discharge of rainwater from them onto the product. Supporting members should be coated to avoid problems with underside condensation. If there are doubts about the compatibility of other products being used, ask for advice from your nearest office.



### Maintenance

Optimum product life will be achieved, if all external walls are washed regularly. Areas not cleaned by natural rainfall (such as top portion of walls sheltered by eaves) should be washed down every six months.

### Walking on Roofs

Generally, keep your weight evenly distributed over the soles of both feet to avoid concentrating your weight on either heels or toes. Always wear smooth soft-soled shoes; avoid ribbed soles that pick up and hold small stones, swarf and other objects.

### Storage and Handling

Keep the product dry and clear off the ground. If stacked or bundled product becomes wet, separate it and wipe it with a clean cloth to dry thoroughly. Handle materials carefully to avoid damage. Do not drag materials over rough surfaces or each other, do not drag tools over material and protect it from swarf.

### Turn up/down Tools

On all roofs of pitches less than 15°, the high end of all sheets must be turned up to stop water from being driven under the flashing & into the building. Similarly, the pans at the gutter end must be turned down to stop water running back along the underside of the sheets.

### Cutting

For cutting thin metal on site, we recommend a circular saw with a metal-cutting blade because it produces fewer damaging hot metal particles and leaves less resultant burr than does a carborundum disc. Cut materials over the ground and not over other materials. Sweep all metallic swarf and other debris from roof areas and gutters at the end of each day and

at the completion of the installation. Failure to do so can lead to surface staining when the metal particles rust.

### Fasteners

All fasteners shall conform to Australian Standard AS3566 - 2002 Class 3 (minimum) for external application. Where insulation is to be installed, you may need to increase the length of the screws given below, depending on the density and thickness of the insulation. When the screw is properly tightened:

- **Into metal:** there should be at least three threads protruding past the support you are fixing to, but the Shankguard must not reach that support
- **Into timber:** the screw must penetrate the timber upto the same amount that the recommended screw would do if there were no insulation



### Sealed Joints

For sealed joints, use screws or rivets and neutral-cure silicone sealant branded as suitable for use with COLORBOND® steel and ZINCALUME® steel.

### Non-Cyclonic Areas

The information in this brochure is suitable for use only in areas where a tropical cyclone is unlikely to occur. Ask for advice from your nearest Tata BlueScope Steel office on designs to be used in cyclonic areas.

Fasteners without insulation				
Support Details	Numbers of Fasteners		Clips per m <sup>2</sup>	Clip Fixing Roof & Wall Application
	Per Sheet/support	Per m <sup>2</sup>		
Steel up to 0.75 mm BMT	3	4*	1.5*	15-15 x 25, Batten Tekes, Hex Head
Steel > 0.75 mm BMT up to 3 mm BMT				12-14 x 20, Metal Tekes, Hex Head
Timber - Softwood				12-11 x 40, Type 17 HG, Hex Head
Timber - Hardwood				12-11 x 25, Type 17 HG, Hex Head (No Sealing washer with screw)

Note:

1. All screws are self drilling, self tapping with EPDM sealing washer unless otherwise noted
2. The number of screws per support are per m<sup>2</sup> and are only for guidance, based on support spaced at 1 m and wall 0.6m
3. HG refers to Hi-Grips
4. \* - the screw quantity is based on an average number of screws
5. Please refer to the above data for guidance purpose only. You may contact Tata BlueScope Steel office for further information.

## Installation

### Preparation

Before starting work ensure that:

- The support for your cladding is truly in the same plane
- The minimum roof slope conforms to our recommendation
- The overhang of sheets from the top and bottom supports don't exceed our recommendation

Make necessary adjustments before you start laying sheets as per our recommendations.

### Orientation of Sheet before Lifting

Consider which end of the building is best to start from. For maximum weather - tightness, start laying sheets from the end of the building that will be downwind of the worst - anticipated or prevailing weather (Refer figure 2).

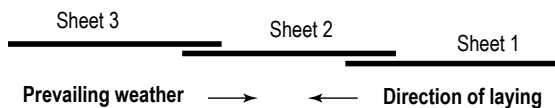


Figure 2

It is much easier and safer to turn sheets on the ground than up on the roof. Before lifting sheets onto the roof, check that they are the correct way up and the overlapping side is towards the edge of the roof from which installation will start. Place bundles of sheet over or near firm support, not at mid span of the roof members.

### Steps for Installation

1. Lay wire mesh or chicken wire mesh on the purlins and weld or screw the wire mesh to each purlin (Refer figure 3).

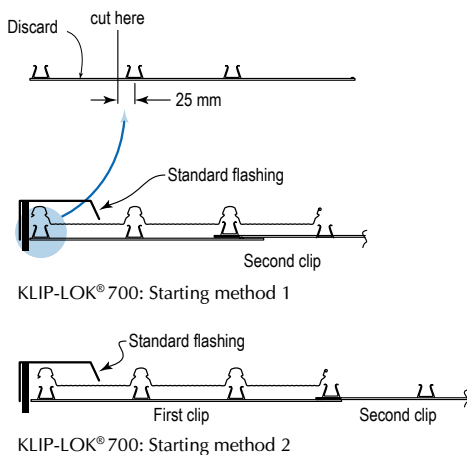


Figure 3

2. Position the first clips on each purlin by placing onto the purlin nearest to the gutter (Refer figure 4).

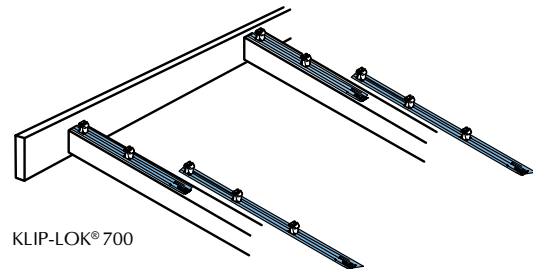


Figure 4

3. Fix the first clip on the purlin so that they point in the direction of laying. Ensure the clip is 90° to the edge of the sheet.
4. Align the clips with the spacer using a string line (or the first sheet as a straight edge) to align the clips as you fix a clip to each purlin working towards the high end of the roof.
5. Drive hex head screw through the top of the clip, into the purlin.
6. Work along the edge of the gutter, ensuring it aligns correctly at its end in relation to the gutter and ridge (or parapet or transverse wall).
7. Place the glass wool insulation between the purlin (Refer figure 5).

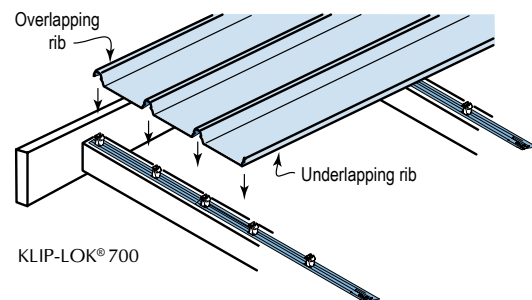


Figure 5

8. Measure the distance from the gutter end of the sheet to the fascia or purlin.
9. Position the first sheet so that the overhangs are of the desired amount (usually 50 mm) to the gutter. It is important to ensure this first sheet is placed squarely to adjacent edges (Refer figure 5).
10. Engage the sheet with clips using vertical foot pressure on all the ribs over each clip (Refer figure 6).
11. Fix the next row of clip, one to each support with the slots and tabs engaged. Be sure the clip is 90° to the edge of the sheet.

12. As before, place the next sheet over its clips also engaging the edge of the preceding sheet.
13. Accurately position the sheet so that it overhangs the desired amount into the gutter. It is important that you keep the gutterend of all sheets in a straight line.
14. Fully engage the two sheets along the overlapping rib. You can do this by walking along the full length of the sheet with one foot in the centre pan of the previous sheet and the other foot applying vertical pressure to the top of the interlocking ribs at regular intervals. It is important that you don't walk in the unsupported pan besides the overlap. A rubber mallet may help engagement of laps on long spans (Refer figure 6).
15. Similarly, engage all the clips by applying vertical foot pressure to the top of the other ribs over each clip.

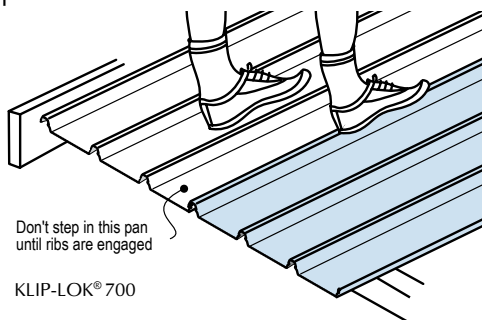


Figure 6

It is essential that the sheets interlock completely. It is important that your weight is fully on the sheet you are installing.

**Check alignment occasionally**

Occasionally check that the sheets are still parallel with the first sheet, by taking two measurements across the width of the fixed cladding.

At about half way through the job, perform a similar check but take the measurements from the finishing line to aim for the final sheet to be parallel with the end of the roof. If the measurements are not close enough, lay subsequent sheets slightly out of parallel to gradually correct the error (Refer figure 7). To

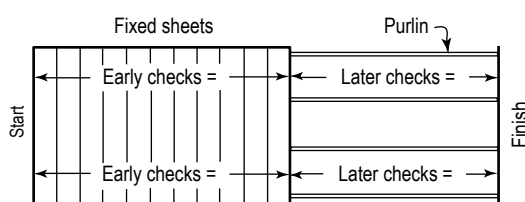


Figure 7

allow this to happen, flatten the tabs on the base of subsequent clips - the slot in the clip will allow the clips to be fixed out of standard pitch.

**Fix the last sheet**

If the final space is less than the full width of a sheet, you can cut a sheet along its length and shorten the clips as appropriate.

**Installing KLIP-LOK® 700 wall**

The installation procedure for walls is similar to that described for roofs. To engage clips, use a rubber mallet (instead of foot pressure). To prevent KLIP-LOK® 700 from sliding downward in the fixing clips, you should pierce-fix through each sheet under the flashing or capping, along the top of the sheets.

**Accurate testing**

LYSAGHT KLIP-LOK® profile has been tested with the latest pressurised air chamber for modelling wind pressures (Refer photograph). The wind pressure capacity table are obtained from our direct – pressure test rig which accurately reproduces the wind conditions experienced in the field. It does not use air bags and applies pressure uniformly over the entire profile including ribs. (Refer figure 8).



Wind Pressure Testing Rig

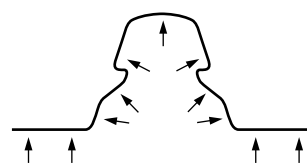


Figure 8 - Accurate Testing Method

Older air bag method used by others distribute pressure unevenly, so that air bags can produce misleading results and inflated strengths as it does not allow pressure to be applied to ribs (Refer figure 9).

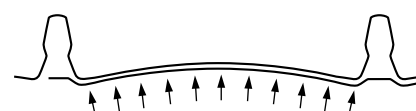


Figure 9 - Industry Testing - Air Bag Method

## LYSAGHT KLIP-LOK® 700 - Design Advantages

- Wide cover concealed fixed cladding system with no exposed fastener for weather tight roofs
- Bold ribs make strong visual appeal
- Fixed on a specially designed clip to withstand high wind pressure
- Economical and fast to install
- Available with on-site mobile roll forming for long uninterrupted length and low roof pitch
- Appealing architectural appearance and multiple colour choice

Kirloskar Oil Engines Limited, India



### Standard Colour Range



For further technical assistance mail us at : [lysaght@tatabluescopesteel.com](mailto:lysaght@tatabluescopesteel.com)

The above colours are only for illustrative purpose and actual colours may vary.



Tata BlueScope Steel Ltd.  
 CIN: U45209PN2005PLC020270  
 Regd. Office: The Metropolitan, 4th Floor,  
 Final Plot No. 27, Survey No. 21,  
 Wakdevadi, Shivaji Nagar, Pune -  
 411005. INDIA. Tel: +91 20 6621 8000  
 Website: [www.tatabluescopesteel.com](http://www.tatabluescopesteel.com)  
 Email: [lysaght@tatabluescopesteel.com](mailto:lysaght@tatabluescopesteel.com)

Note:  
 ©2016 Tata BlueScope Steel Limited. All rights reserved. No part of this brochure may be reproduced or transmitted in any form or by any means, electronic or mechanical including photocopy, recording, or any information storage and retrieval system, without permission in writing from Tata BlueScope Steel Ltd. All brand names mentioned in this brochure are registered trademarks of BlueScope Steel Limited under license to Tata BlueScope Steel Limited."

For more information, please contact:

North Region	Gurgaon:	Tel: +91 124 4712801
East Region	Kolkata:	Tel: +91 33 40061945
West Region	Mumbai:	Tel: +91 22 66743329
South Region	Chennai:	Tel: +91 44 42693319

